

Full Motion Single Monitor Arm, Wall Mount

Quick Installation Guide



Please Review the entire Quick Installation Guide prior to installation. If you have any questions regarding the compatibility of this Mount with your Monitor please contact DoubleSight Customer Service prior to beginning the installation. It may also be helpful to check your Monitor's Manual for any special mounting requirements outlined by the Monitor manufacturer.

Full Motion Single Monitor Arm, Wall Mount Model: DS-27WM

Instruction Manual

Images may differ from actual product.

Disclaimer

DoubleSight intended to make this manual completely all right. However, DoubleSight makes no claim that the information comprised herein covers all conditions or details in connection with installation or use of this product. The information comprised here is subject to change without notice or obligation of any kind. DoubleSight assumes no responsibility for accuracy or adequacy of information comprised in this document.

Warning:

A warning alerts you to the possibilities of personal injury or damage to equipment if you do not follow the corresponding instructions. It is installer's responsibility to make sure all components are properly assembled and installed using the instructions manual provided.

Warning:

Using of improper screws size may damage your display. If spacers are required, be sure to use correct size of screws. Proper screws used will easily and completely thread into the display mounting holes. Inadequate thread engagement in the display may cause display falling.

Warning:

It is installer's responsibility to make sure the combined weight of all components does not exceed weight capacity. Exceeding weight capacities can result in severe personal injury or damage to equipment. It is installer's responsibility to make sure the combined weight of all components does not exceed weight capacity of 9kg (19.8lbs).

Warning:

Allowing any part of your component cables to be caught between movable parts can result in serious personal injury or damage to equipment.

Warning:

The table installed must be strong and stable enough for supporting this LCD Arm and LCD

Please contact DoubleSight Displays Service and Support if you are missing any of the package contents or need assistance.

DoubleSight Customer Support: 888.897.8869 or Support@DoubleSight.com

Getting Started

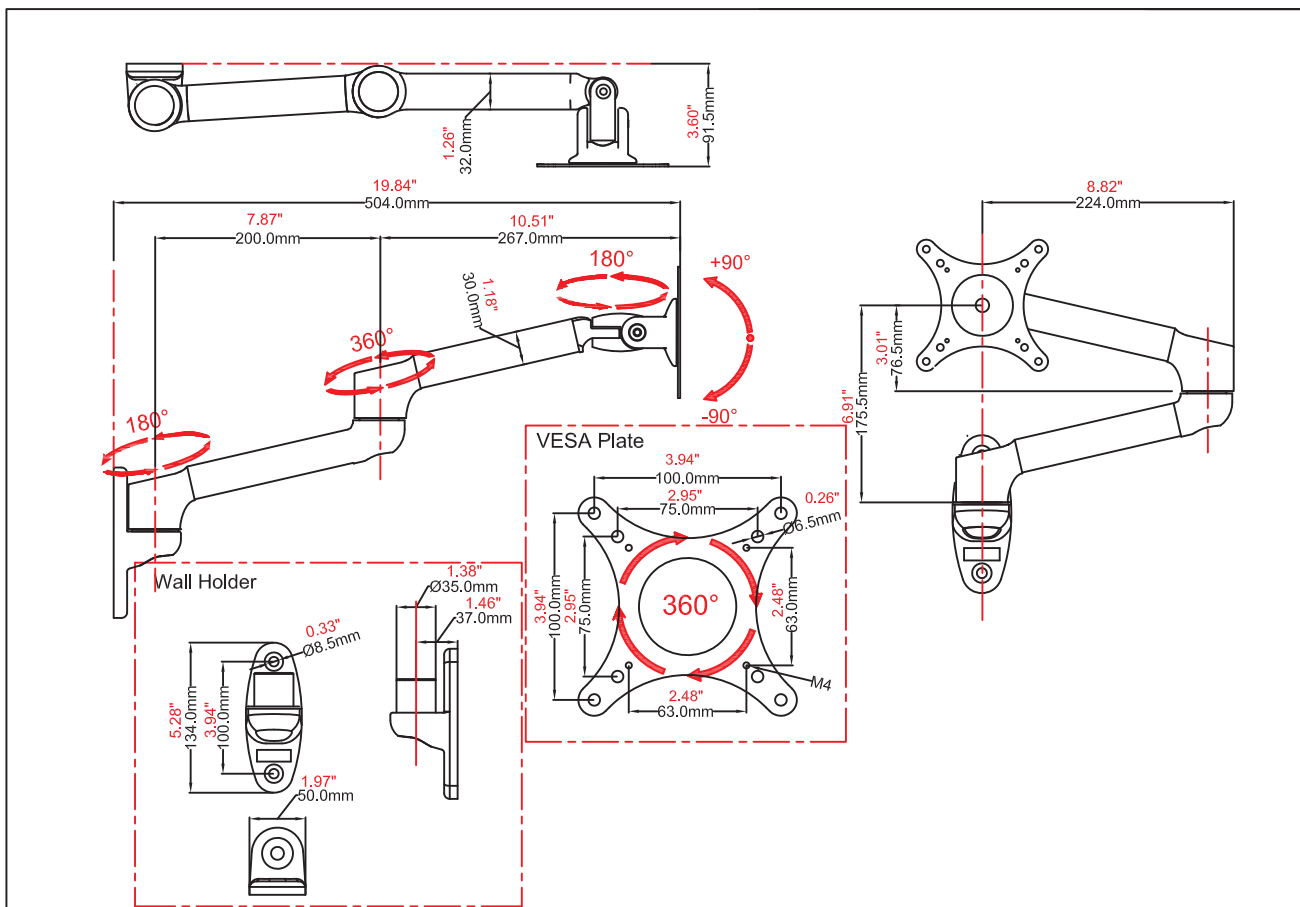
Model: DS-27WM

Read the following warning before installing

- Verify all parts are included. Do not install if the product if hardware is damaged. Not all hardware included will be used.
- Please contact a qualified installer
- This product contain moving parts, Use with caution
- This product contains small item, keep these items away from children
- Do not exceed the maximum weight capacity for this product. Exceeding the weight capacity can result in serious personal injury or damage to equipment!
- The table installed must be strong and stable enough for supporting this LCD Arm and LCD.

Specifications

Weight Capacity	19.50 lbs.
LCD Flat Panel Displays	Up to 27"
Maximum Extension	19.84"
Depth from Wall	3.6"
Tilt adjustment	+/-90 degree
Display Pan Swing- Side to side	+/- 90 degree
Pivot (Desk / Display / Arm)	180 degree
VESA Compatibility	75x75mm and 100x100mm



Please contact DoubleSight Displays Service and Support if you are missing any of the package contents or need assistance.

DoubleSight Customer Support: 888.897.8869 or Support@DoubleSight.com

Parts List

<p>1</p>  <p>LCD Arm Qty.1</p>	<p>2</p>  <p>Extension Arm Qty.1</p>	<p>3</p>  <p>Wall Plate Qty.1</p>	
<p>4</p>  <p>6.3X65mm Qty.2</p>	<p>5</p>  <p>Washer Qty.2</p>	<p>6</p>  <p>Allen Wrench 6mm Qty.1</p>	
<p>7</p>  <p>Anchor Qty.2</p>	<p>8</p>  <p>Cable Cover Qty.2</p>	<p>9</p>  <p>Cover with Pin Qty.1</p>	
<p>10</p>  <p>Spacer Qty.4</p>	<p>11</p>  <p>Philips Screw M4X12mm Qty.4</p>	<p>12</p>  <p>Philips Screw M4X25mm Qty.4</p>	
<p>13</p>  <p>Cover Qty.1</p>	<p>14</p>  <p>Philips Screw M6X12mm Qty.1</p>	<p>15</p>  <p>Washer M6 Qty.1</p>	<p>16</p>  <p>Monitor Screws Qty.4</p>

ASSEMBLY and INSTALLATION

INSPECT THE MOUNT BEFORE ASSEMBLY

Carefully inspect the mount components to ensure all components are present.

Note: Read all assembly instructions before starting the installation process.

Please contact DoubleSight Displays Service and Support if you are missing any of the package contents or need assistance.

DoubleSight Customer Support: 888.897.8869 or Support@DoubleSight.com

Wood Wall Installation

- Note:** Drilling into electrical wiring cables or pipes can cause serious damage and personal injury. Always make sure wall are clear prior to drilling and installing your Arm.
- Note:** Other tools may be required depending on your method of installation.
- Note:** It is installer's responsibility to make sure the desktop structure to which this product is attached can support the combined weight of all compnents.

Assemble the Wall Plate

1. Hold the Wall Plate (3) in the desired location on the wall and mark pilot holes with a pencil.. (See Figure 1)
2. Drill Pilot Holes, ensuring the holes are in a straight pattern for a level mount. (See Figure 2)
3. Insert Phillips Screw ST6.3x65mm (4) through Washer (5), Wall Plate (3) and finally into pilot hole. Repeat for remaining Phillips Screws. Tighten Philips Screw securely. (See Figure 3)

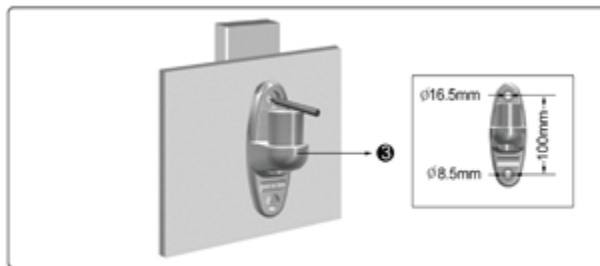


Figure 1

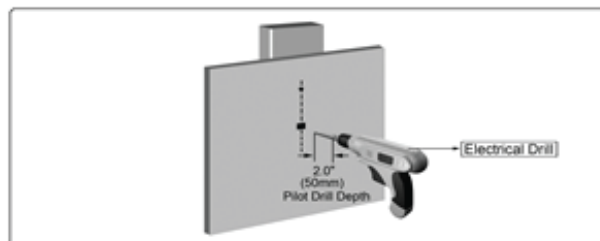


Figure 2

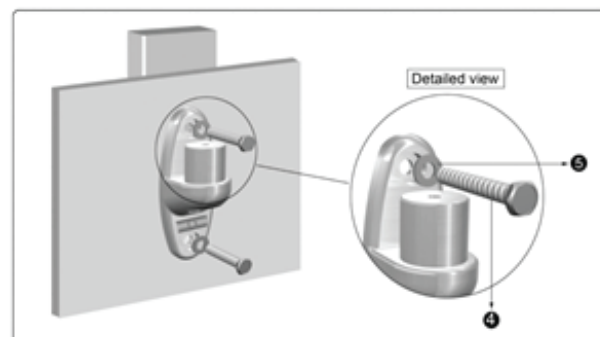


Figure 3

Note: Installation into a Mansonry Wall is a also possible. Wall Anchors are included.

Installing your Monitor

Note: Using of improper screws size may damage your display. If spacers are required, be sure to use correct size of screws. Proper screws used will easily and completely thread into the display mounting holes. Inadequate thread engagement in the display may cause display falling.

Note: It is installer's responsibility to make sure the combined weight of all components does not exceed weight capacity. Exceeding weight capacities can result in severe personal injury or damage to equipment.

Attaching the Monitor to the VESA Bracket

1. Ensure VESA Bracket on the LCD Arm (1) is able to swivel and tilt easily. (See Figure 4)

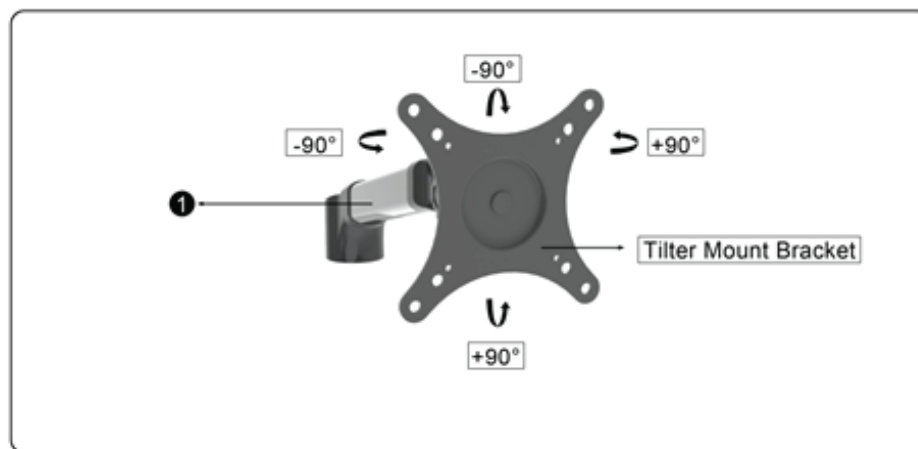


Figure 4

2. Carefully place your monitor face down on a smooth level surface being careful not to scratch the surface of the Monitor. You should have already removed any factory installed stand or base.

3. Locate the 4 VESA Screw Holes on the back of your monitor. Place the LCD Arm over the VESA Holes aligning the Bracket Holes with the Monitor Holes. Using the monitor screws provided attach the Arm to the Monitor. Use caution not to over tighten, stop immediately if you encounter resistance. (See Figure 5)

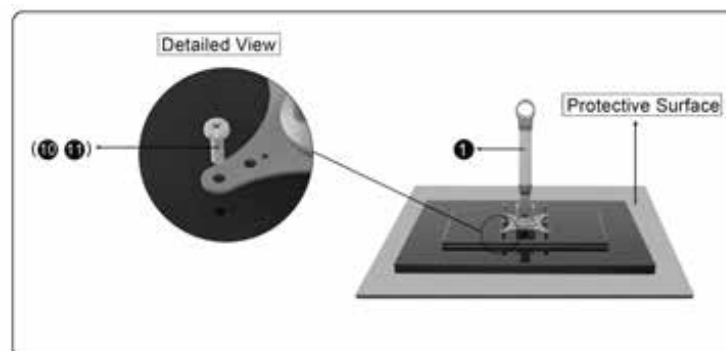


Figure 5

Attaching the Monitor and Arm to the Wall Plate

1. Install the Extension Arm (2) onto the Wall Plate. (See Figure 6)
2. Press the Cover (13) and tighten with Phillips Screw M6x12mm (14) and Plastic Washer (15) using Phillip Screwdriver. Do not over tighten. This is to prevent the Extension Arm to be lift unnecessary. (See Figure 7)
3. Being careful to balance the weight of the Monitor and LCD Arm, attach the LCD Arm to the Extension Arm. (See Figure 8)
4. Secure the two arm segments together by pressing the Cover and Bolt (8) firmly into the top opening of the LCD Arm. Verify the two arm segments are now securely joined together. (See Figure 9)

Figure 6

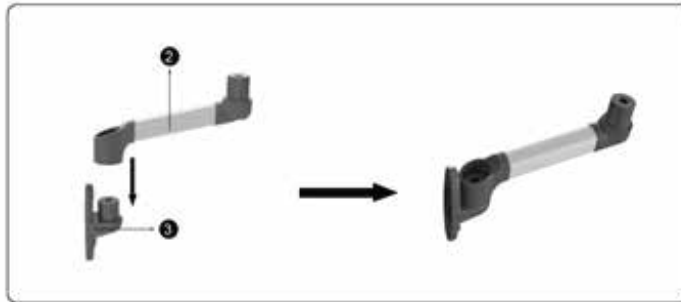


Figure 7

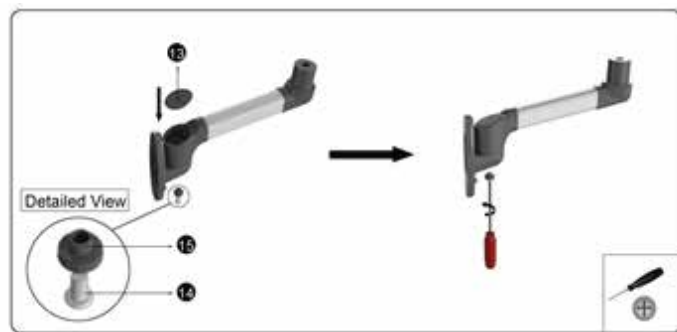


Figure 8

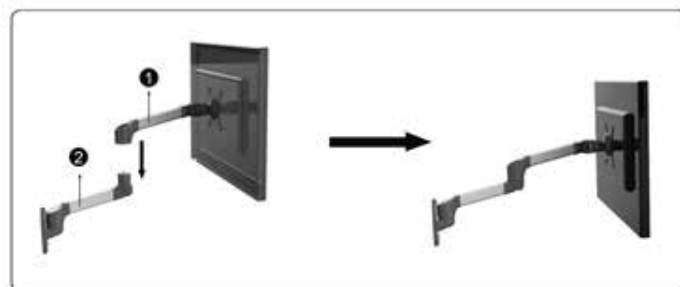
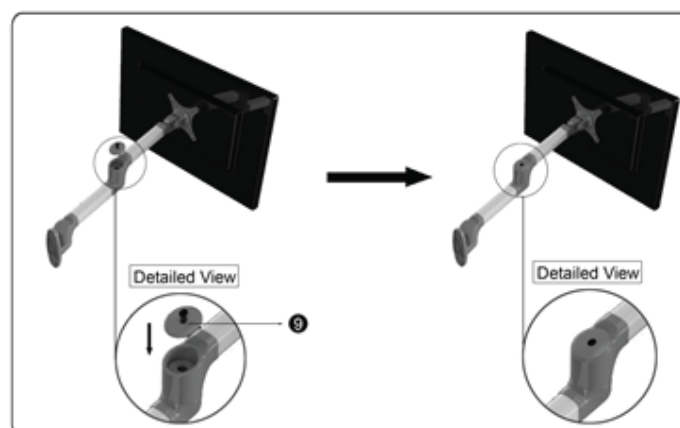


Figure 9



Using Cable Management Feature

1. Once you have connected your Monitor's Cabling you can use the built in cable management to organize your cabling. Locate the Cable Channels on the underside of the LCD Arm. Simply push cables into the channel, leaving sufficient slack so as not to pull out cables when LCD Arm is moved. **(Figure 10)**
2. Secure the cables in place by snapping the Cable Covers (7) into the Cable Channels. **(Figure 11)**

Figure 10

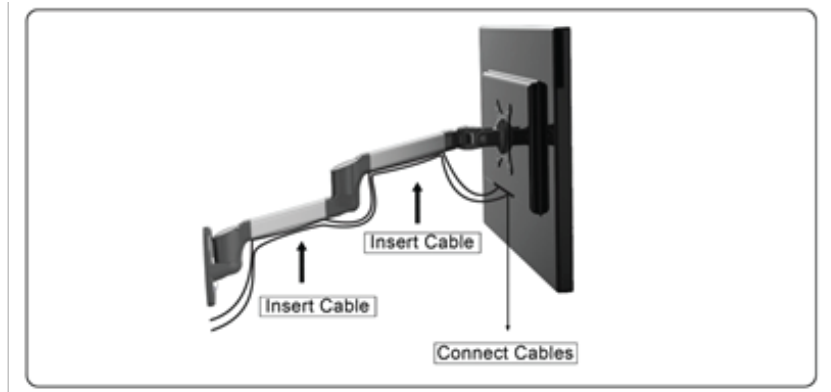
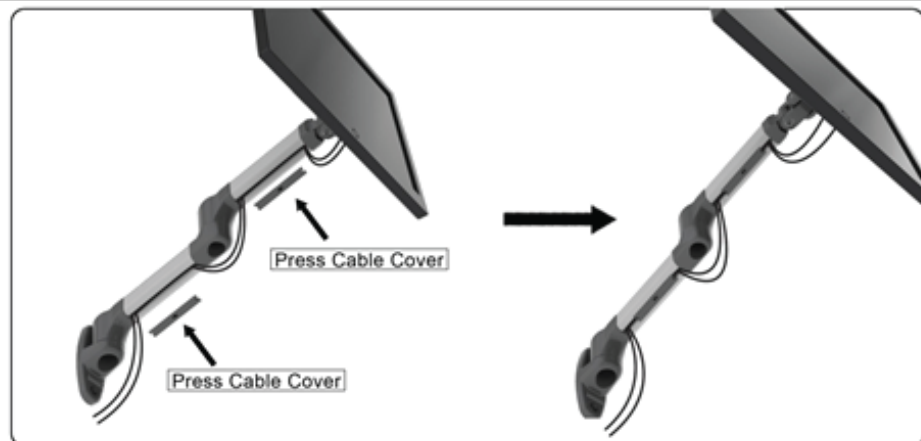


Figure 11



Adjusting your New LCD Arm to your preferences

Once your Monitor and LCD Arm are completely installed you may find it necessary to make adjustments to best suit your needs.

Adjusting the Monitor Height and/or Extension of Your Monitor Arm

1. To adjust the height and extension of the Monitor Arm, remove the Extension Arm (2) from shaft follow by attaching the Articulating Arm to achieve your desired position. (See Figure 12)

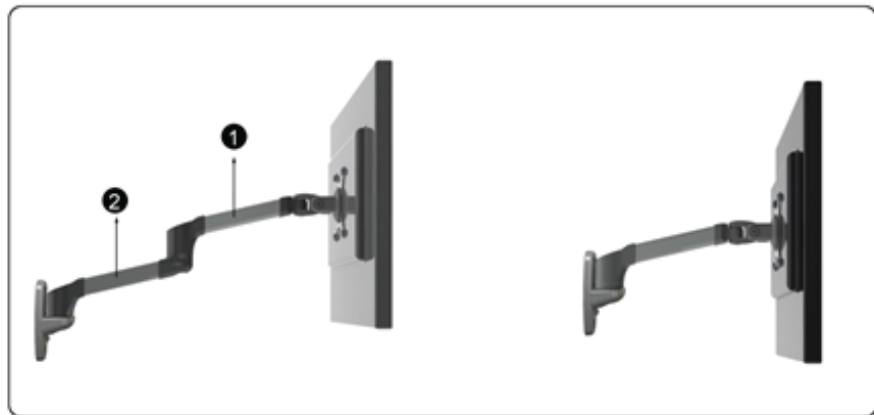


Figure 12

Adjusting the VESA Bracket Tension

1. Depending on the weight of your monitor and your preferences, you may find it necessary to adjust the tension of the VESA Bracket. You can adjust the Forward/Backward Tilt of the Bracket, as well as, the Left/Right Swing of the Monitor. Using the 6mm Hex Allen Wrench (5) you can adjust the bolts to the desired tension. (See Figure 13)

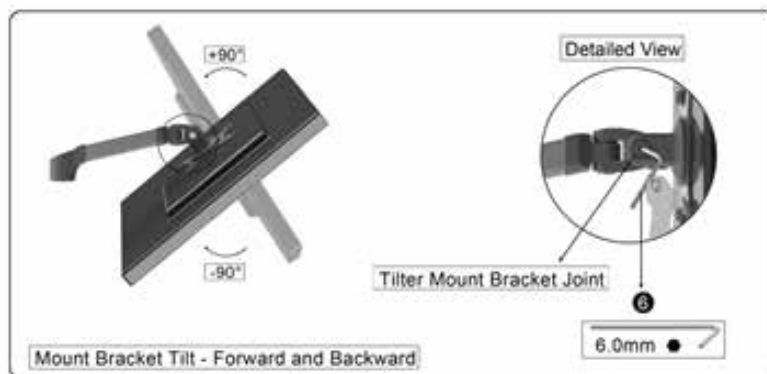


Figure 13

DoubleSight Displays

Sales : Tel : 877.896.5237
Email : sales@doublesight.com

Support : Tel : 888.897.8869
Email : support@doublesight.com

Website : www.doublesight.com

