

Full Motion Dual Monitor Arm, Pole Mount

Quick Installation Guide



Please Review the entire Quick Installation Guide prior to installation. If you have any questions regarding the compatibility of this Mount with your Monitor please contact DoubleSight Customer Service prior to beginning the installation. It may also be helpful to check your Monitor's Manual for any special mounting requirements outlined by the Monitor manufacturer.

Full Motion Dual Monitor Arm, Pole Mount Model: DS-232PS

Instruction Manual

Images may differ from actual product.

Disclaimer

DoubleSight intended to make this manual completely all right. However, DoubleSight makes no claim that the information comprised herein covers all conditions or details in connection with installation or use of this product. The information comprised here is subject to change without notice or obligation of any kind. DoubleSight assumes no responsibility for accuracy or adequacy of information comprised in this document.

Warning:

A warning alerts you to the possibilities of personal injury or damage to equipment if you do not follow the corresponding instructions. It is installer's responsibility to make sure all components are properly assembled and installed using the instructions manual provided.

Warning:

Using of improper screws size may damage your display. If spacers are required, be sure to use correct size of screws. Proper screws used will easily and completely thread into the display mounting holes. Inadequate thread engagement in the display may cause display falling.

Warning:

It is installer's responsibility to make sure the combined weight of all components does not exceed weight capacity. Exceeding weight capacities can result in severe personal injury or damage to equipment. It is installer's responsibility to make sure the combined weight of all components does not exceed weight capacity of 9kg (19.8lbs).

Warning:

Allowing any part of your component cables to be caught between movable parts can result in serious personal injury or damage to equipment.

Warning:

The table installed must be strong and stable enough for supporting this LCD Arm and LCD

Please contact DoubleSight Displays Service and Support if you are missing any of the package contents or need assistance.

DoubleSight Customer Support: 888.897.8869 or Support@DoubleSight.com

Getting Started

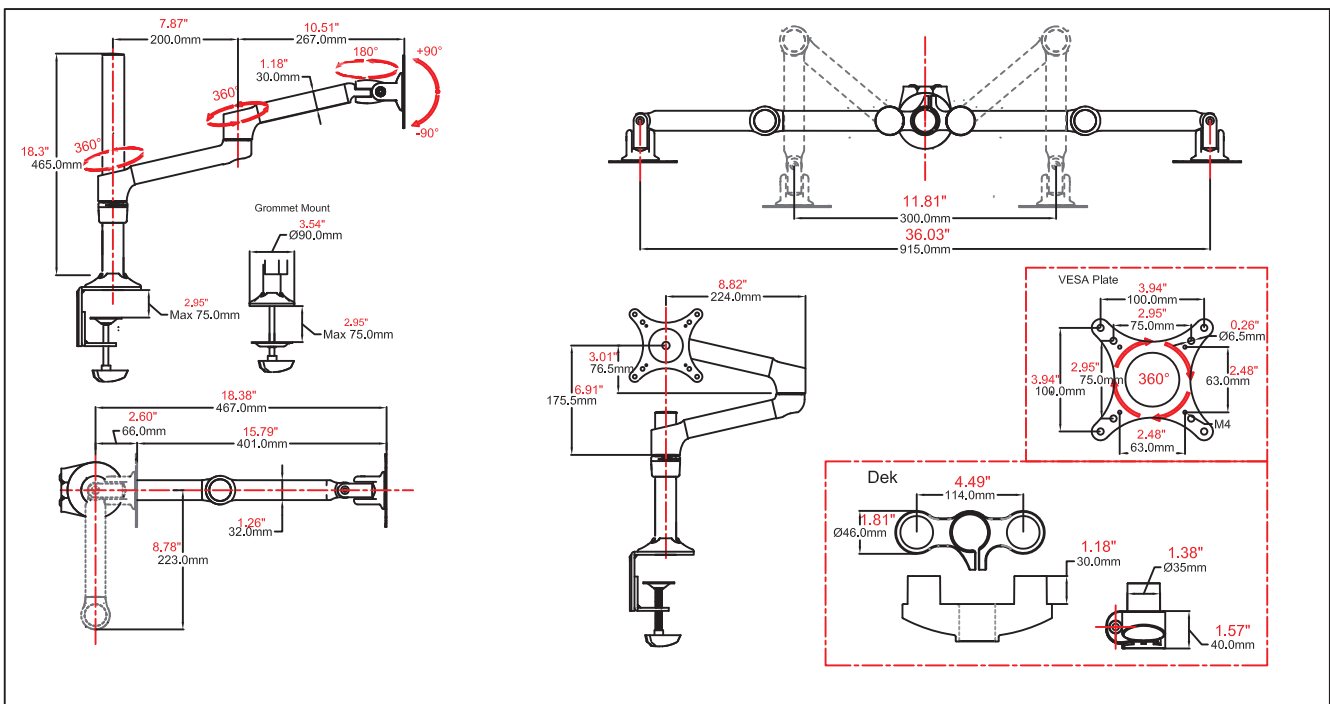
Model: DS-232PS

Read the following warning before installing

- Verify all parts are included. Do not install if the product if hardware is damaged. Not all hardware included will be used.
- Please contact a qualified installer
- This product contain moving parts, Use with caution
- This product contains small item, keep these items away from children
- Do not exceed the maximum weight capacity for this product. Exceeding the weight capacity can result in serious personal injury or damage to equipment!
- The table installed must be strong and stable enough for supporting this LCD Arm and LCD.

Specifications

Weight Capacity	19.50 lbs. per monitor
LCD Flat Panel Displays	Up to 32"
Maximum Extension	18.37" per monitor
Pole Width	2.6"
Tilt adjustment	+/-90 degree
Display Pan Swing- Side to side	+/- 90 degree
Pivot (Desk / Display / Arm)	180°
Maximum Mounting Surface Thickness	2.95" (75mm)
VESA Compatibility	75x75mm and 100x100mm














Please contact DoubleSight Displays Service and Support if you are missing any of the package contents or need assistance.

DoubleSight Customer Support: 888.897.8869 or Support@DoubleSight.com

Getting Started

Model: DS-232PS

Parts List

 <p>1</p> <p>LCD Arm Qty. 2</p>	 <p>2</p> <p>Dual Arm Bracket Qty. 1</p>	 <p>3</p> <p>Pole Assembly Qty. 1</p>
 <p>4</p> <p>Allen Wrench 8mm Qty. 1</p>	 <p>5</p> <p>Allen Wrench 6mm Qty. 1</p>	 <p>6</p> <p>Allen Wrench 5mm Qty. 1</p>
 <p>7</p> <p>Cable Cover Qty. 4</p>	 <p>8</p> <p>Arm Cover Qty. 2</p>	 <p>9</p> <p>Cable Clip Qty. 1</p>
 <p>10</p> <p>Arm Cover Screw Qty. 2</p>	 <p>11</p> <p>Monitor Screws Qty. 8</p>	

ASSEMBLY and INSTALLATION

INSPECT THE MOUNT BEFORE ASSEMBLY

Carefully inspect the mount components to ensure all components are present.

Note: Read all assembly instructions before starting the installation process.

Please contact DoubleSight Displays Service and Support if you are missing any of the package contents or need assistance.

DoubleSight Customer Support: 888.897.8869 or Support@DoubleSight.com

Install the Pole Assembly to Desk Edge

1. Place the Pole Assembly (3) over the open edge of the desk in the desired location. (See Figure 1). Tighten the Clamp by turning the handle until the Pole Assembly is securely in place. (See Figure 2)

NOTE: Actual Products may differ in appearance from drawings.

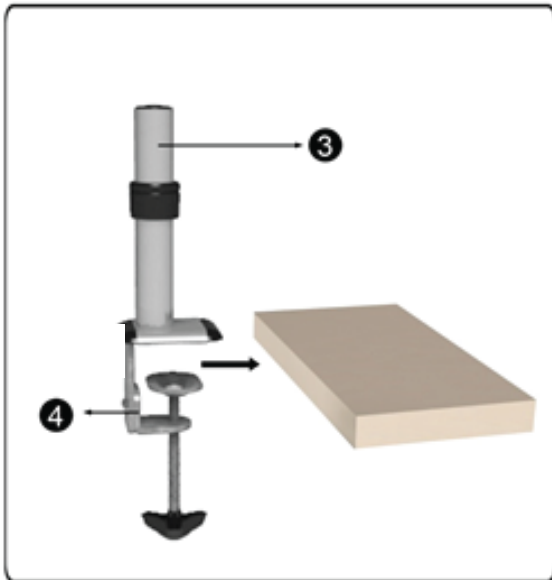


Figure 1

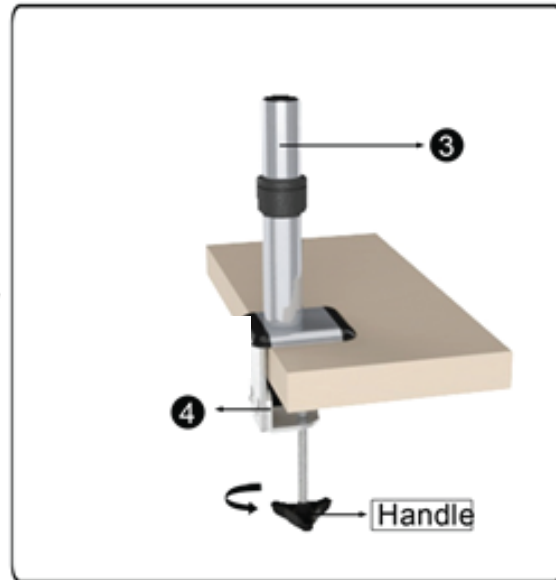


Figure 2

2. To adjust the height of your monitor arm, loosen the Collar as shown. Position the Collar at desired height and tighten with hand so the Collar assembly is firmly in place. (See Figure 5)

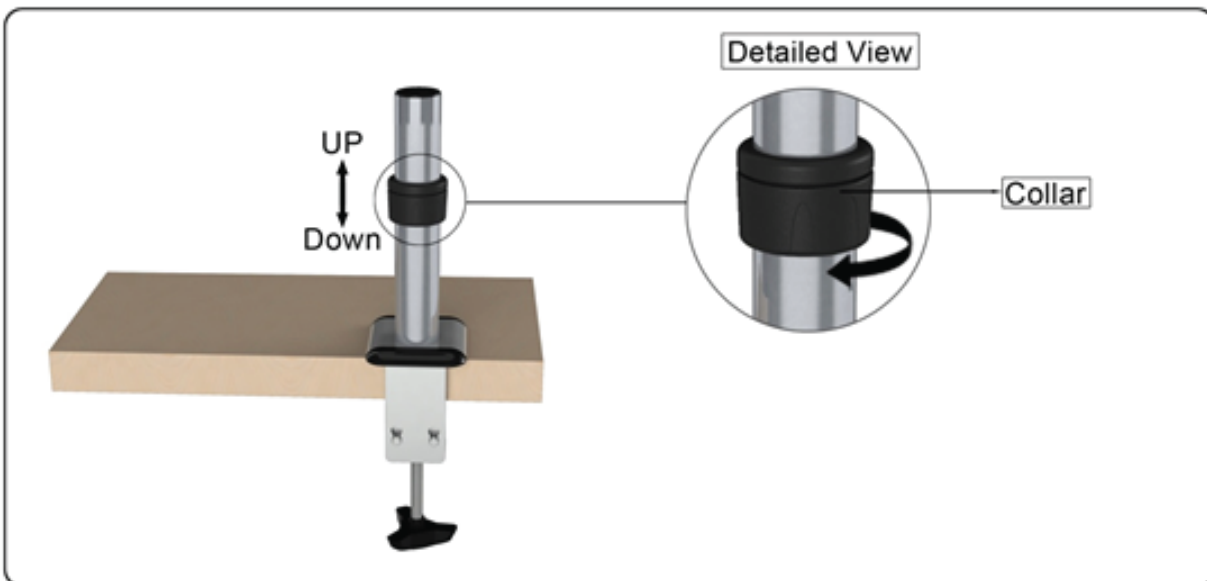


Figure 3

Attaching the Monitor Arms to the Pole Assembly

1. Attach the 2 LCD Arm (1) sections to the Dual Arm Bracket (2) as shown. **(Figure 4)**
2. Secure in place by inserting Arm Cover (8) and tightening with appropriate Arm Cover Screw(10). **(Figure 5-6)**

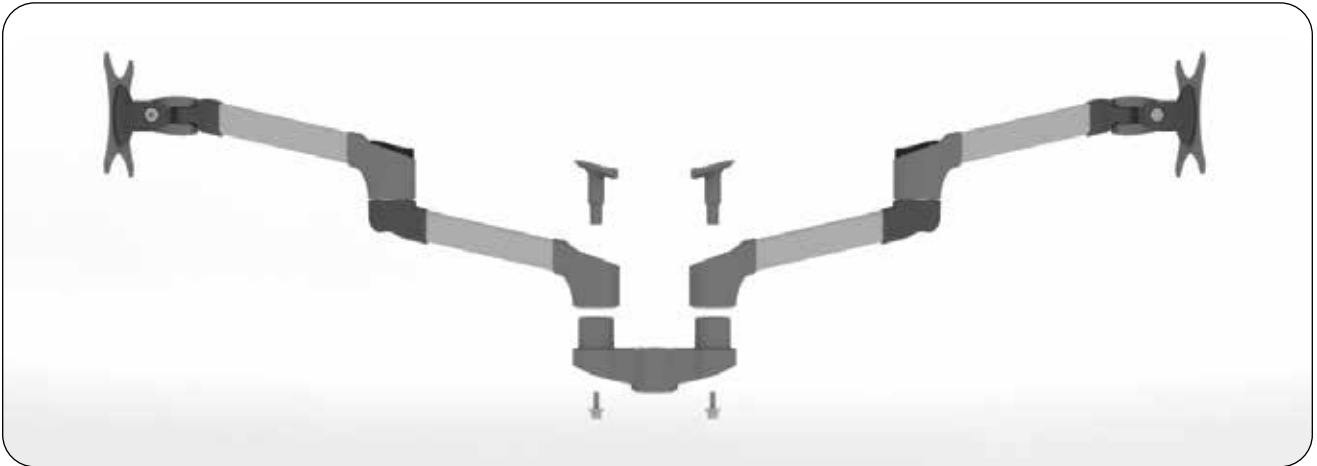


Figure 4

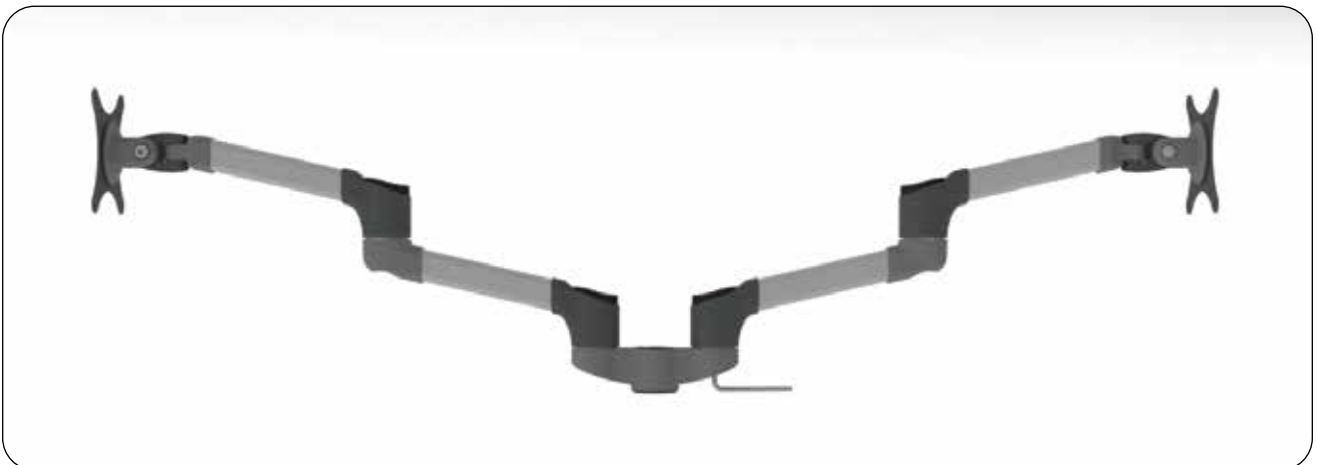


Figure 5



Figure 6

Attaching the Monitor Arms to the Pole Assembly

3. Slip Dual Arm Bracket and Arms onto Pole Assembly as shown. (Figure 7-8)
4. Secure in place by tightening the Bracket screw as shown. (Figure 9)

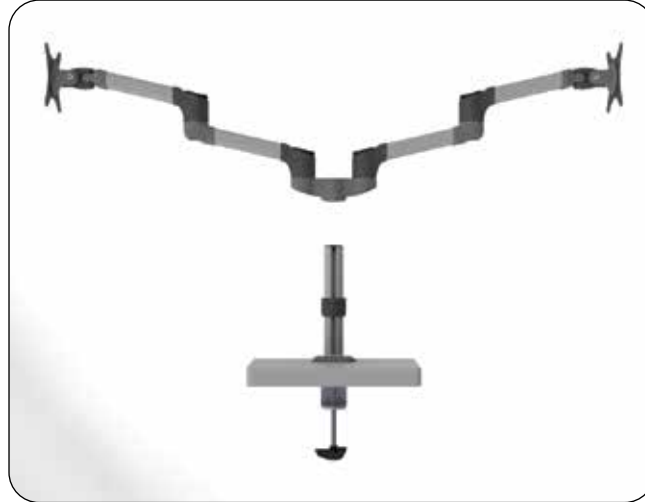


Figure 7



Figure 8



Figure 9

Installing your Monitor

Note: Using of improper screws size may damage your display. If spacers are required, be sure to use correct size of screws. Proper screws used will easily and completely thread into the display mounting holes. Inadequate thread engagement in the display may cause display falling.

Note: It is installer's responsibility to make sure the combined weight of all components does not exceed weight capacity. Exceeding weight capacities can result in severe personal injury or damage to equipment.

Attaching the Monitor to the VESA Bracket

1. Ensure VESA Bracket on the LCD Arm (1) is able to swivel and tilt easily. (Figure 10)

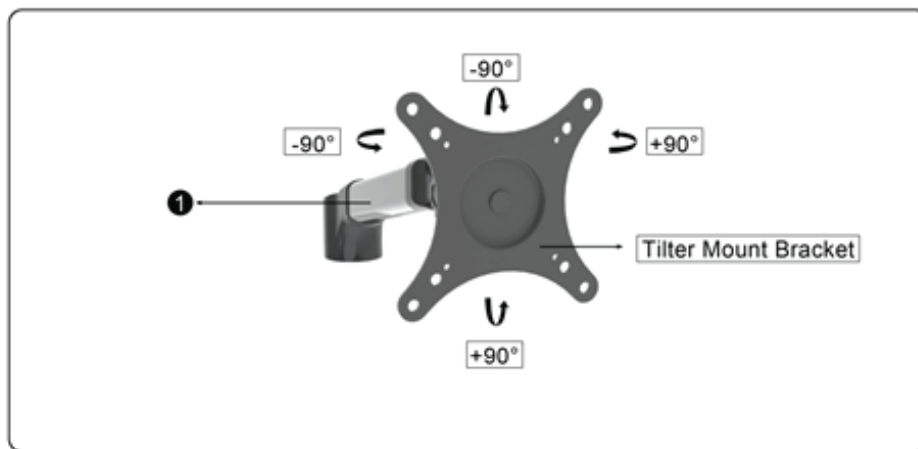


Figure 10

Attaching the Monitors to the Dual Arms

2. Hold Monitor flush to the VESA Bracket and secure with the provided Monitor Screws. (Figure 11).
3. Repeat with second Monitor.

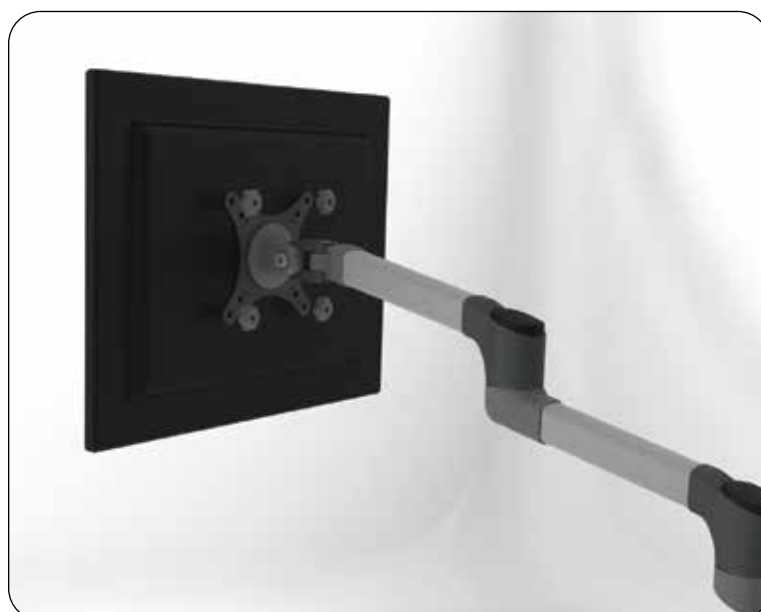


Figure 11

Using Cable Management Feature

1. Once you have connected your Monitor's Cabling you can use the built in cable management to organize your cabling. Locate the Cable Channels on the underside of the LCD Arm. Simply push cables into the channel, leaving sufficient slack so as not to pull out cables when LCD Arm is moved. **(Figure 11)**
2. Secure the cables in place by snapping the Cable Covers (7) into the Cable Channels. **(See Figure 12)**
3. Use the Cable Clip (6) to secure cables to the base of the Pole. **(See Figure 13)**

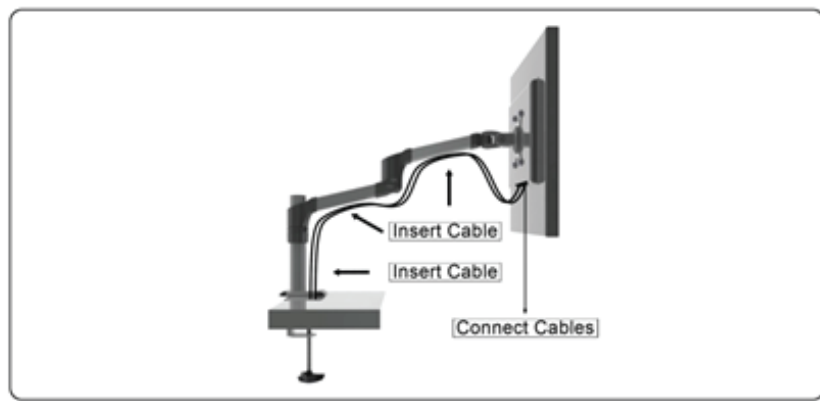


Figure 11

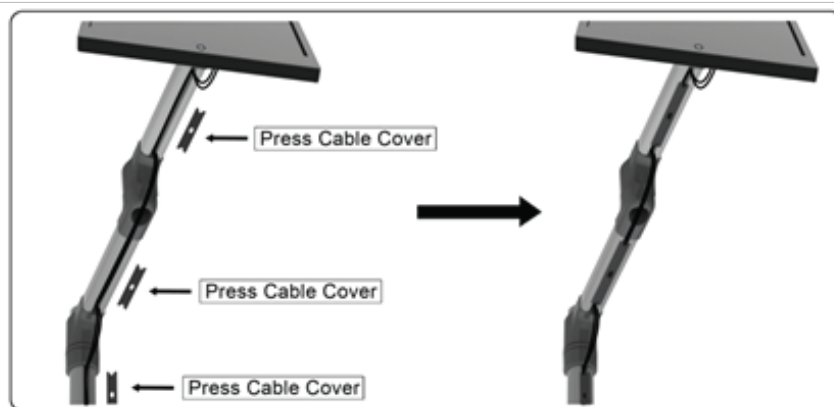


Figure 12

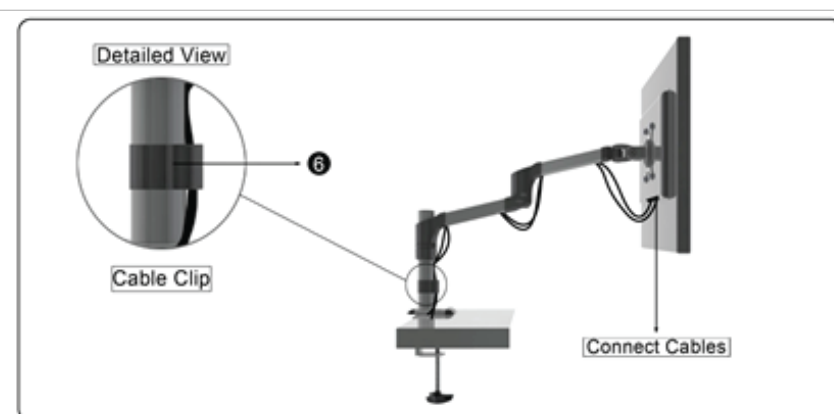


Figure 13

Adjusting your New LCD Arm to your preferences

Once your Monitor and LCD Arm are completely installed you may find it necessary to make adjustments to best suit your needs.

Adjusting the Position on your Desk

1. Remove the Monitor and Dual Arm from the Pole prior to relocating the Pole. Simply lift off the Monitor and Dual Arm and set aside on a level flat surface.
2. Loosen the Clamp and relocate the Pole to the new position and tighten in place.
3. Reinstall the Monitor and Dual Arm.

Adjusting the Monitor Height

1. Loosen the Collar and move Collar and Dual Arm Assembly up/down to the desired position. (See Figure 14)

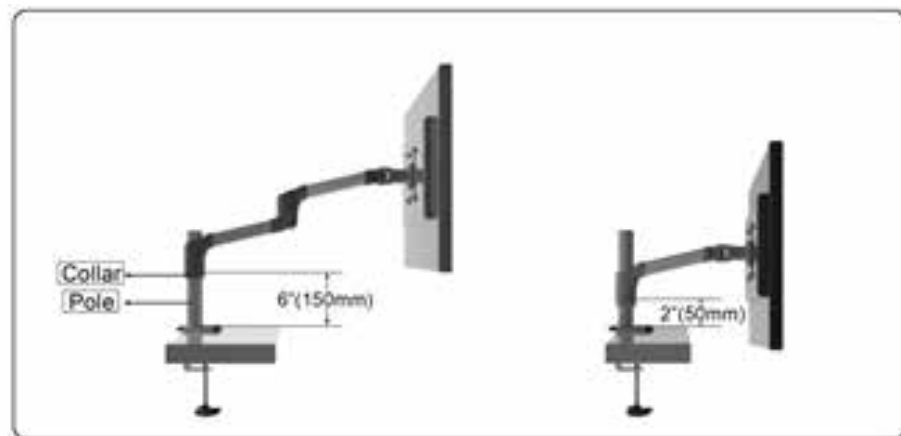


Figure 14

Adjusting the VESA Bracket Tension

1. Depending on the weight of your monitor and your preferences, you may find it necessary to adjust the tension of the VESA Bracket. You can adjust the Forward/Backward Tilt of the Bracket, as well as, the Left/Right Swing of the Monitor. Using the 6mm Hex Allen Wrench (5) you can adjust the bolts to the desired tension. (See Figure 15)

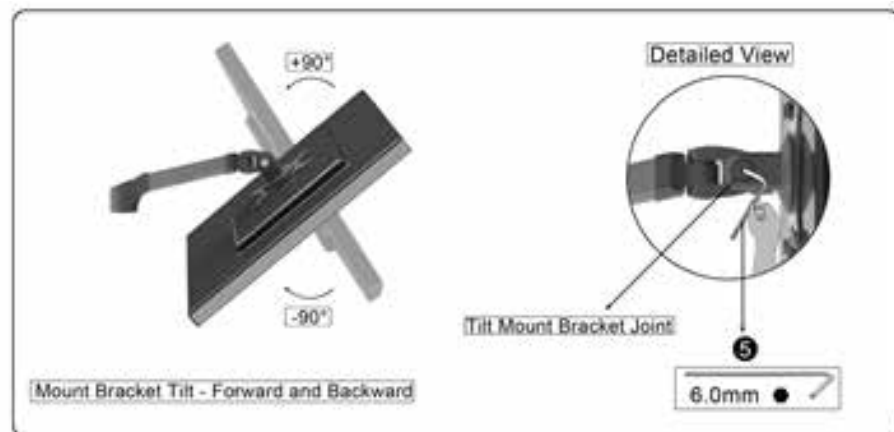


Figure 15

DoubleSight Displays

Sales : Tel : 877.896.5237
Email : sales@doublesight.com

Support : Tel : 888.897.8869
Email : support@doublesight.com

Website : www.doublesight.com

